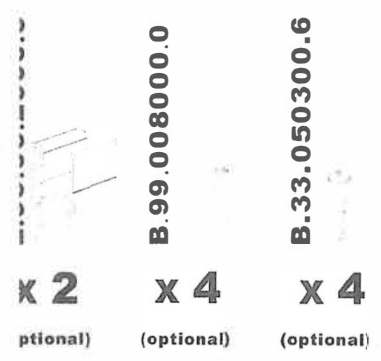
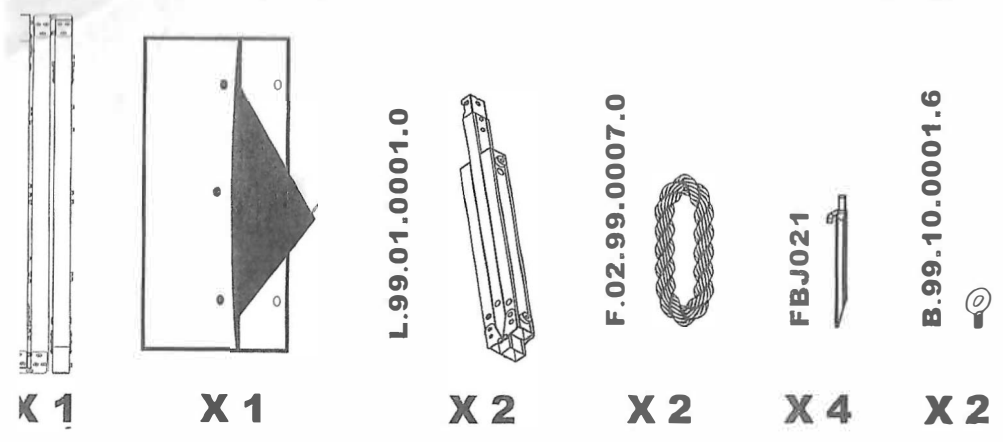
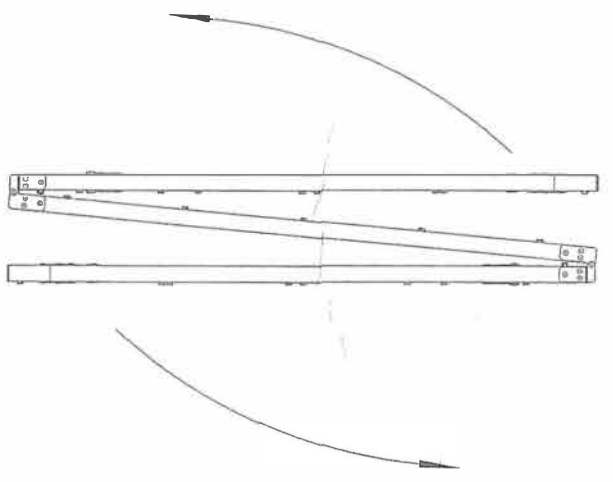


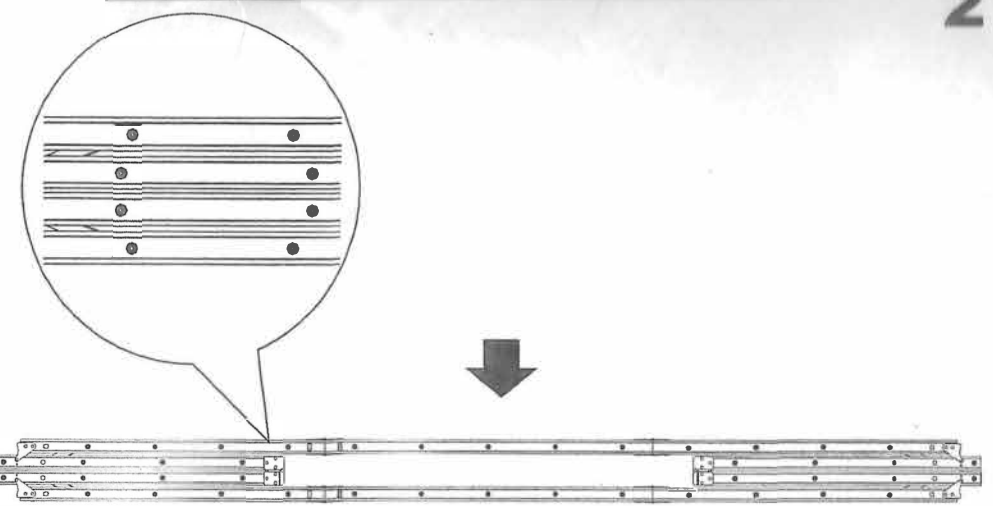
PARTS



**STEP 1 - UNPACK FRAME, LAY ON FLOOR**

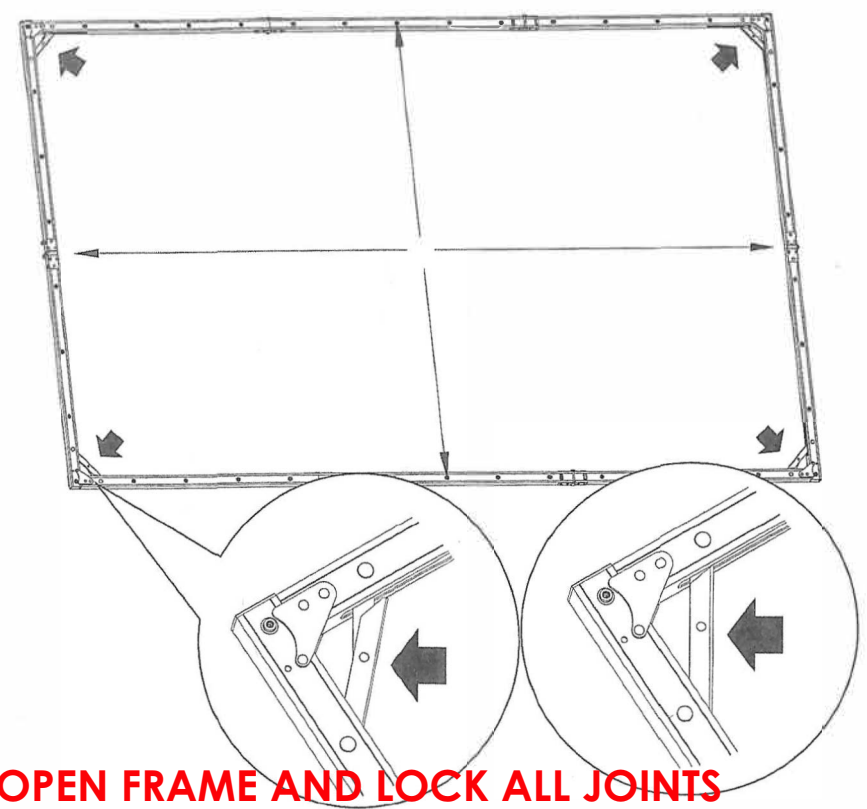


1



**STEP 2 - OPEN FRAME TO LOOK LIKE ABOVE IMAGE**

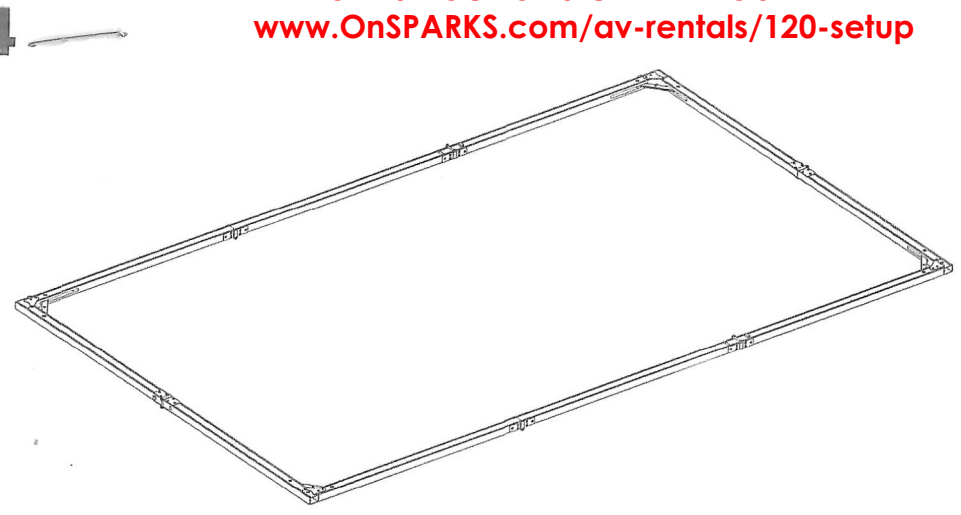
3



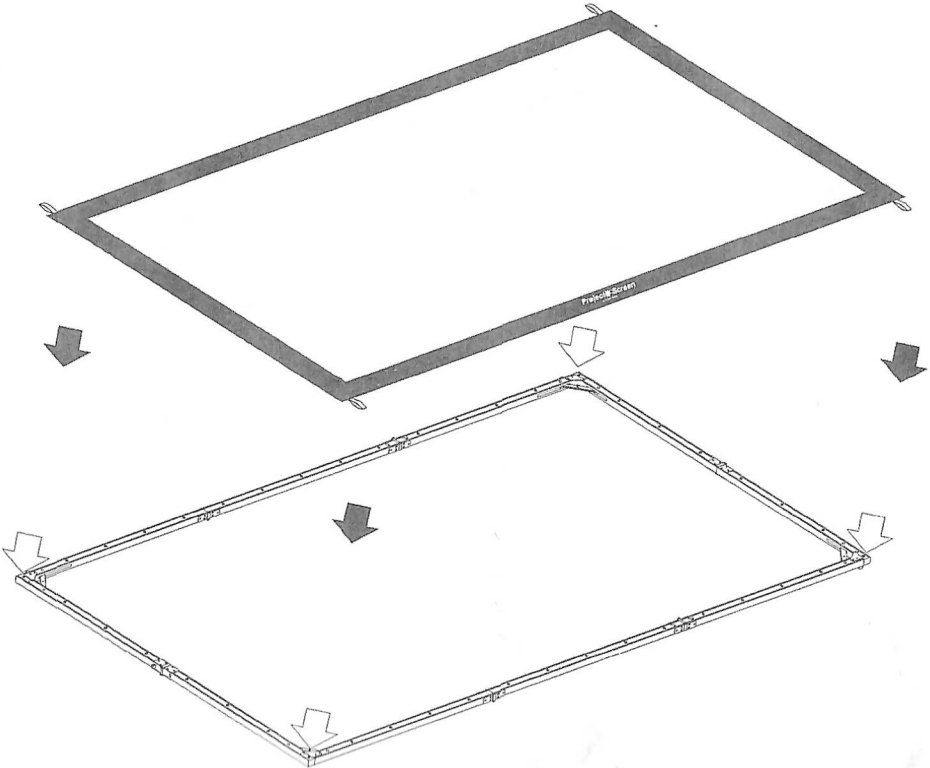
**STEP 3 - OPEN FRAME AND LOCK ALL JOINTS**

2

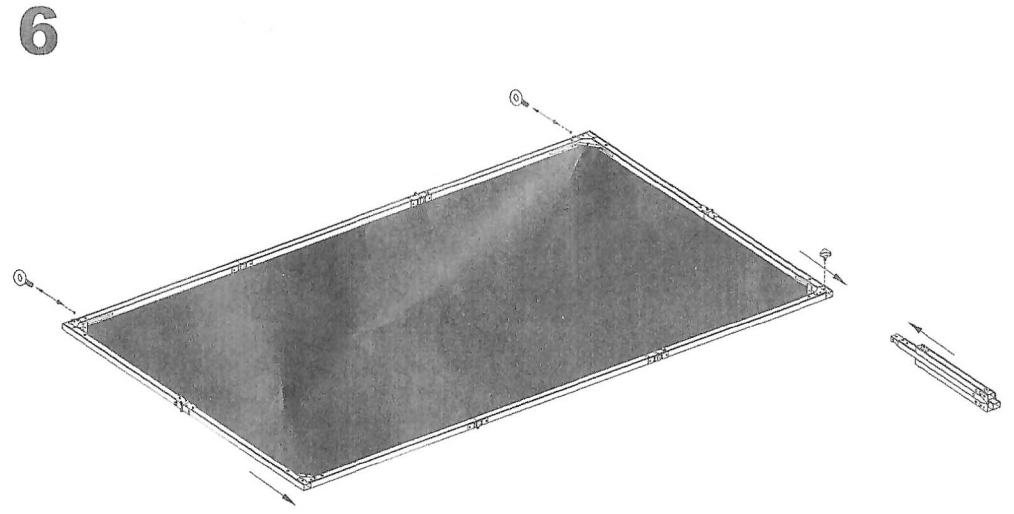
VIDEO INSTRUCTIONS CAN BE FOUND AT  
[www.OnSPARKS.com/av-rentals/120-setup](http://www.OnSPARKS.com/av-rentals/120-setup)



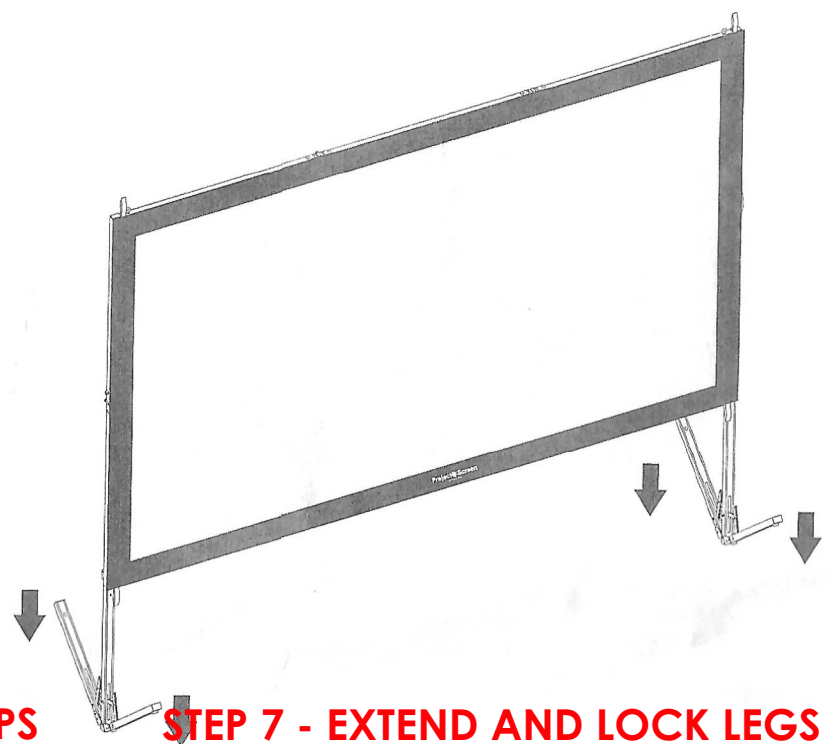
**STEP 4 - TURN FRAME SNAPS SIDE UP**



**STEP 5- LAY SCREEN ON FRAME AND SNAP ALL SNAPS**

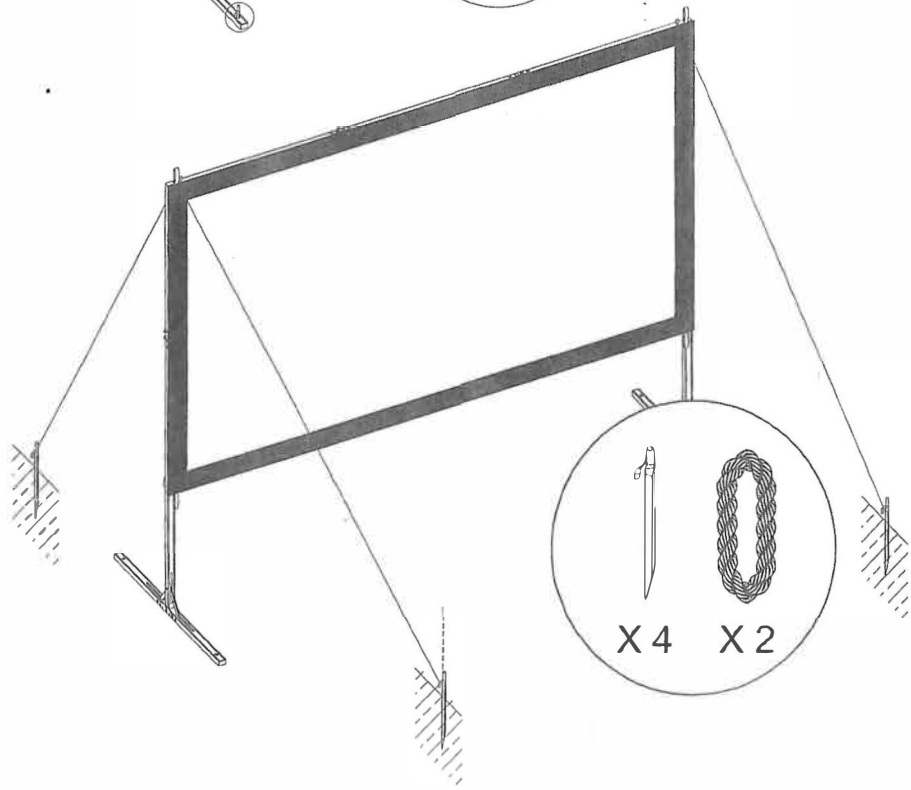
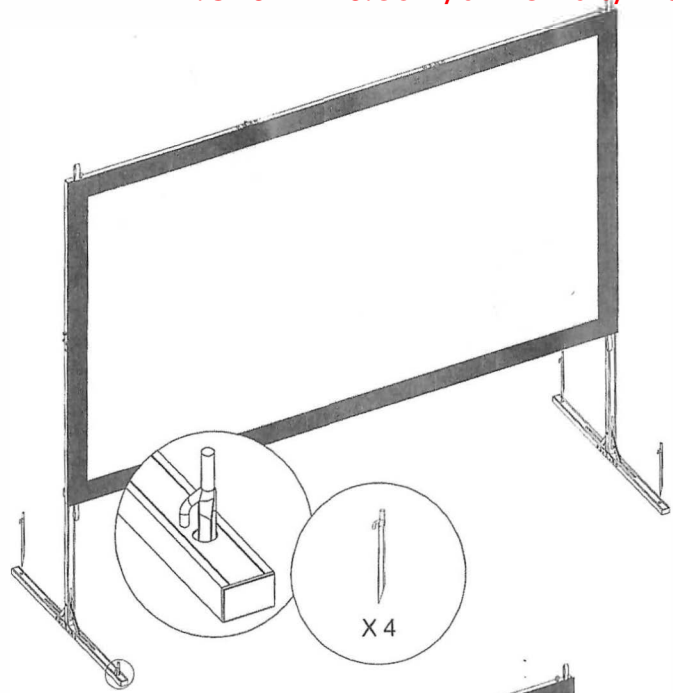


**STEP 6 - INSERT STAND LEGS ON ENDS. INSTALL KNOB SCREWS TO LOCK STAND TO FRAME**



**STEP 7 - EXTEND AND LOCK LEGS**

VIDEO INSTRUCTIONS CAN BE FOUND AT  
[www.OnSPARKS.com/av-rentals/120-setup](http://www.OnSPARKS.com/av-rentals/120-setup)



5

L.99.06.2000.0

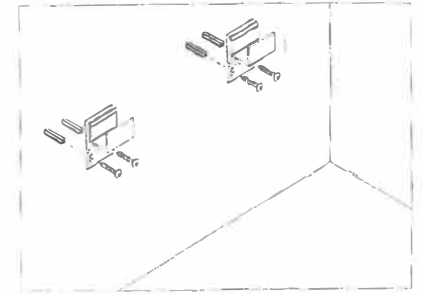
X 2  
(optional)

B.99.008000.0

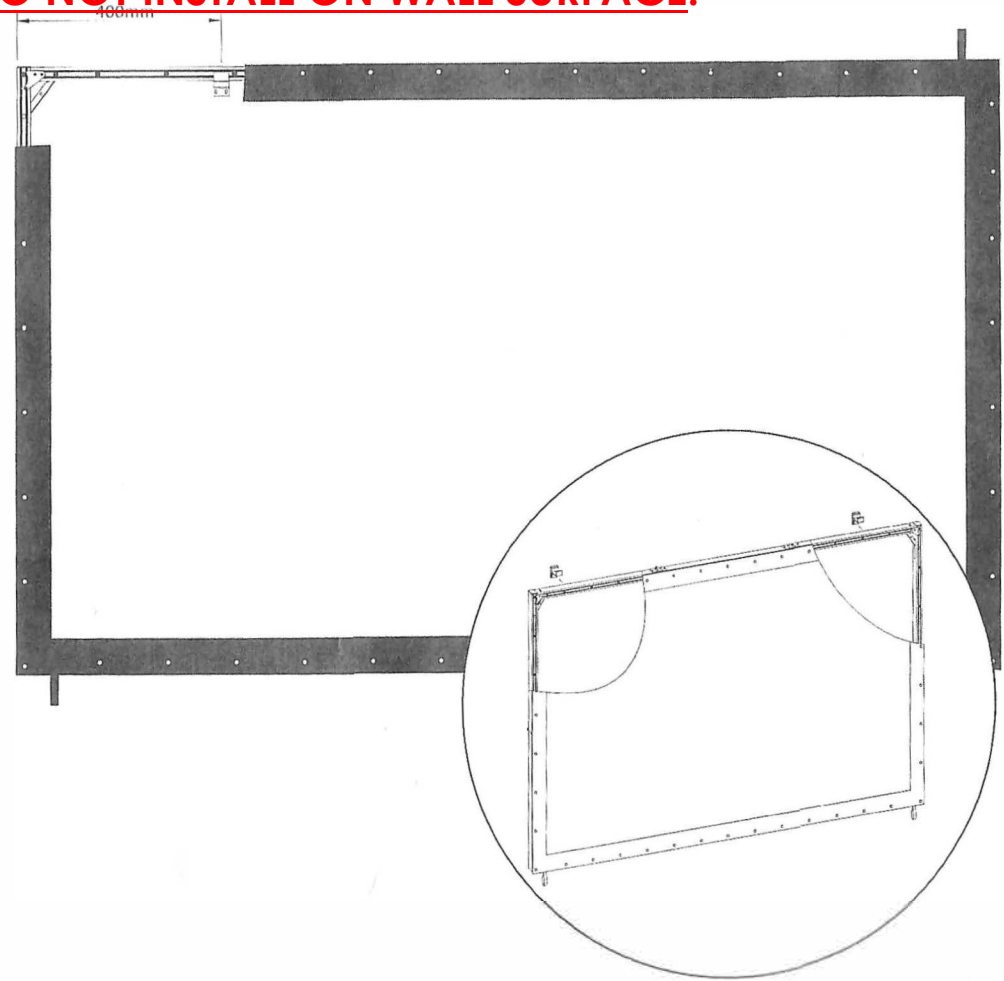
X 4  
(optional)

B.33.050300.6

X 4  
(optional)



**OPTIONAL: STAKE & TIE DOWN FOR OUTDOOR USE**  
**DO NOT INSTALL ON WALL SURFACE.**



6